

Pressure

Compact Switch

Series 96201, 96211, 96221

Features

- ▶ Compact size
- ▶ Low & high pressures including vacuum
- ▶ Extremely versatile
- ▶ Optional DIN and conduit connectors
- ▶ NEMA 1 & 4; IP65
- ▶ Single pole double throw snap action switching
- ▶ Factory preset or field adjustable

Applications

- ▶ Pump & compressor monitoring
- ▶ Air proving in HVAC systems
- ▶ Engine monitoring
- ▶ Machine tools
- ▶ Hydraulic power units
- ▶ Mobile hydraulics
- ▶ Medical equipment
- ▶ Irrigation systems
- ▶ General industrial applications



General Specifications*

Accuracy:	± 2% of full range
Switch: Type:	SPDT snap action; single circuit
Rating:	5 Amp @ 125/250 VAC (Class BB microswitch - standard) 10 Amp @ 125/250 VAC (Class CC microswitch) 5 Amp @ 30 VDC (Class BB and CC microswitches)
Wetted Parts: Process Fitting:	Brass (standard); 416 stainless steel (optional)
O-Ring Seals & Diaphragms:	Buna-N (standard)
Piston (96201 models):	Stainless steel; Teflon back-up ring
Electrical Connection:	12" free leads, #18 AWG
Enclosure Ratings:	NEMA 1 (plastic - standard) NEMA 4 (when ordered with -T4 or -T5 options) IP65 (when ordered with T2 DIN connection option)
Pressure Connection:	1/4" NPT male (standard)
Approvals: UL:	UL recognized component (UR); With optional conduit connector (-T4 or -T5 option) becomes UL listed. UL File No. E42816.
CSA:	CSA #LR22354

Temperature Range: Series 96201:	-40° to +165°F (-40° to +74°C)
Series 96211:	-20° to +165°F (-29° to +74°C)
Series 96221:	0° to +165°F (-18° to +74°C)
Adjustment Capability:	Models L96201, L96211 and L96221 are factory set and permanently locked. Models 96201, 96211, and 96221 are field adjustable via an external adjustment sleeve.
Pressure Setpoint Adjustment:	Secure hex body with open-end wrench; hand turn adjustment sleeve: Clockwise (counterclockwise for vacuum models) to increase. Counterclockwise (clockwise for vacuum models) to decrease set point.
Shipping Weight:	Approximate 0.95 lbs.

Wiring Code

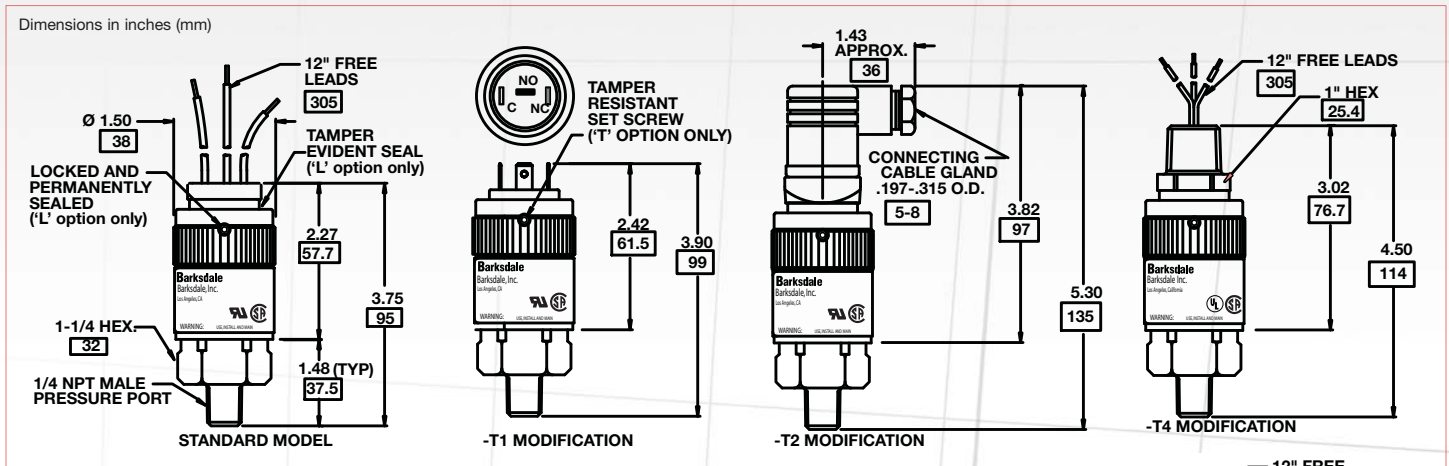
LEAD	PRESSURE		VACUUM	
	COLOR	PIN	COLOR	PIN
NORMALLY CLOSED	BLUE	2	RED	3
COMMON	PURPLE	1	PURPLE	1
NORMALLY OPEN	RED	3	BLUE	2

* See product configurator for additional options.

Compact Switch

Series 96201, 96211, 96221

Technical Drawings



Product Configurator

Example: **96211-BB3 SS -T5 -V**

Prefix

- L Factory set and permanently locked (optional)
- T Tamper resistant setscrew (optional)

Base Model

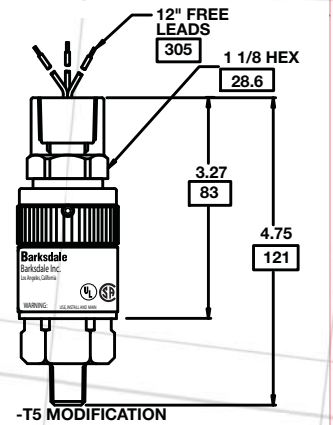
	Adjustable Range				Approx. Deadband (Actuation Value) psi (bar)	Proof Pressure psi (bar)		
	Decreasing - psi (bar)		Increasing - psi (bar)					
	Min.	Max.	Min.	Max.				
96221-BB1	1" Hg	28" Hg	6" Hg	30" Hg	.5 - 8" Hg	30 (2)" Hg	Vacuum	
96211-BB1	2.5 (.2)	12.8 (.9)	3 (.2)	15 (1)	.3 - 3 (.02 - .21)	1000 (68)	Low Pressure Diaphragms	
96211-BB2	5 (.3)	31 (2)	6 (.4)	35 (2.4)	.5 - 6 (.03 - .41)	1000 (68)		
96211-BB3	8.5 (.6)	44 (3)	10 (.6)	50 (3.4)	.5 - 8 (.03 - .55)	1000 (68)		
96211-BB4	22.5 (1.5)	112 (8)	25 (1.8)	125 (8.5)	1 - 15 (.07 - 1.03)	1000 (68)		
96211-BB5	70 (5)	220 (15)	80 (5.5)	250 (17)	5 - 40 (.34 - 2.76)	1000 (68)		
96211-BB6	110 (7)	440 (30)	130 (9)	500 (34)	10 - 75 (.69 - 5.17)	1000 (68)		
96201-BB1	190 (13)	450 (31)	250 (17)	600 (41)	30-150 (2.07 - 10.35)	7000 (476)	High Pressure Diaphragms	
96201-BB2	360 (24)	1450 (105)	430 (29)	1700 (116)	40-400 (2.76 - 27.59)	7000 (476)		
96201-BB3	1450 (105)	3900 (265)	1650 (112)	4400 (300)	100-750 (6.90 - 51.72)	7000 (476)		
96201-BB4	3650 (248)	6700 (456)	4000 (272)	7500 (510)	200-1000 (13.79-68.96)	12000 (816)		
96201-BB5	300 (20)	2500 (170)	380 (26)	3000 (200)	80-500 (5.52-34.48)	7000 (476)		
-CC	10A @ 125/250VAC Limit Switch (replace -BB with -CC)							

Fitting Option

- Blank Brass (Standard)
- SS Stainless steel (not available with vacuum models)

Electrical Connectors

- Blank 12" free leads (standard)
- T1 1/4" male spade terminals
- T2 DIN Connector, 43650 type
- T4 1/2" NPT male conduit connector with free leads
- T5 1/2" NPT female conduit connector with free leads



Options

- Z1 Cleaned for oxygen service
- Z12 Gold contact limit switch, 1 A, 125 VAC
- Z17 DIN 43650 base only (no mating plug)
- Z24 Unshielded cable, #18 AWG PVC
- P1 7/16-20 SAE pressure Fitting with O-ring
- JXXX³ SJO cable, #18 AWG (XXX = inches) (available only with T5 connector)
- WXXX¹ Extra wire length (XXX = inches)
- SXXX Factory preset (consult factory)

Diaphragm/O-ring Material²

- Blank Buna-N (standard)
- E Ethylene propylene (EPR)
- N Neoprene
- V Viton®

NOTES:
¹ Not available with DIN connector (-T2 option)
² Minimum quantities may apply
³ Only available with -T5 electrical connection