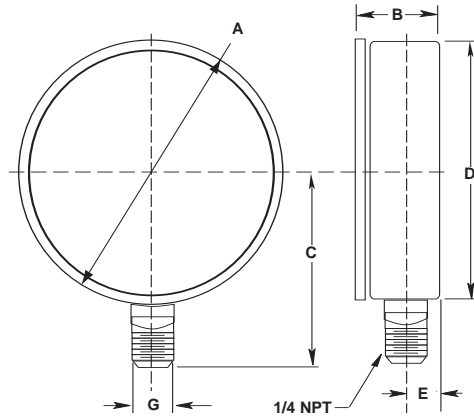


Type 1005P, XUL Fire Protection Sprinkler Service Gauge

DIMENSIONS



SIZE/TYPE	A	B	C	D	E	G
3 1/2"	3.70	1.14	0.72	x.xx	0.47	0.56
1005P, XUL	(94)	(29)	(69)	(xx)	(11.9)	(14.2)