



Pressure Gauge Accessories

Instrument Grade Needle Valves

Type 910.11

Accessories, Mechanical

Application

Intended to isolate the pressure gauge from the measured fluid or to provide a means of throttling or dampening pressure pulsation.

Pressure Rating

Hard seat models 10,000 psi
Soft seat models 6,000 psi

Operating Temperature

Media: max. 200°F (+93°C)
min. 0°F (-18°C)

Flow Rate

Hard seat models Max. C_v .52
Soft seat models Max. C_v .83



Standard Features

Valve Body

12L14 carbon steel, nickel plated, or 316 stainless steel, electro-polished

Bonnet

12L14 carbon steel or 316 stainless steel

Valve Stem

316 stainless steel (hard chromed on hard seat models)

Handle

12L14 carbon steel or 316 stainless steel

Handle Bolt

12L14 carbon steel or 18-8 stainless steel

Stem Seals

Viton o-ring with PTFE back-up ring

Stem Seal Lock (soft seat model)

12L14 carbon steel or 316 stainless steel

Stem Seat (soft seat model)

Delrin

Orifice Size

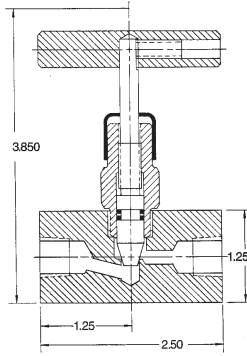
0.187 inches (4.75 mm)

Order Options

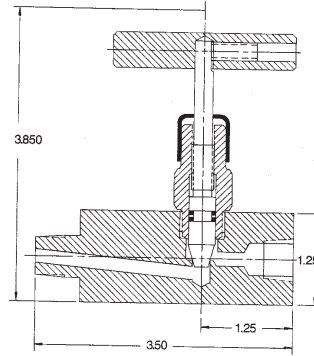
Panel mounting bracket

AAM 910.11
(AAM 09.02)

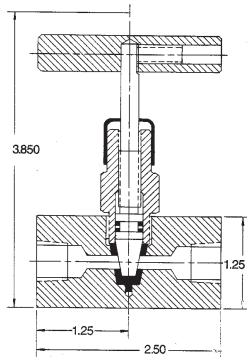
**Hard Seat
Female - Female**



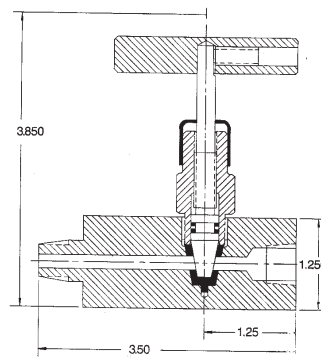
**Hard Seat
Male - Female**



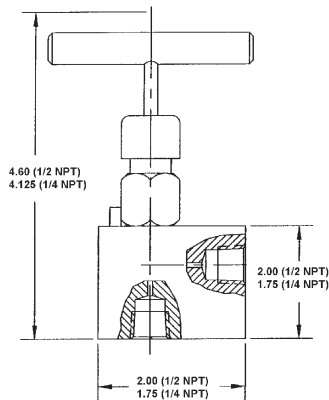
**Soft Seat
Female - Female**



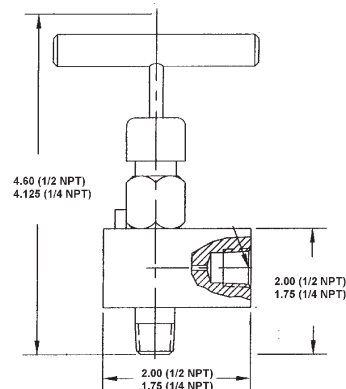
**Soft Seat
Male - Female**



**Hard Seat
Female - Female
Angle Valve**



**Hard Seat
Male - Female
Angle Valve**



THE MEASURE OF
Total Performance™

Ordering Information:

State computer part number (if available) / model number / size / range / connection size and location / options required.

Specifications given in this price list represent the state of engineering at the time of printing. Modifications may take place and the specified materials may change without prior notice



WIKAL Instrument Corporation
1000 Wiegand Boulevard
Lawrenceville, Georgia 30043-5868
Tel: 770-513-8200 Fax: 770-338-5118
<http://www.wika.com> e-mail: info@wika.com