



Pressure Gauge Accessories

Mini-Needle Valves

Type 910.11.100

Accessories, Mechanical

Application

Intended to isolate the pressure gauge from the measured fluid or to provide a means of throttling or dampening pressure pulsation.

Pressure Rating

Brass: 3,000 PSI
Steel / 316SS 6,000 PSI

Operating Temperature

Media: max. 200°F (+93°C)
min. 0°F (-18°C)

Flow Rate

Hard seat models Max. $C_v = 0.42$



Standard Features

Valve Body

360 Brass, 12L14 nickel-plated carbon steel, or electro-polished 316 stainless steel

Bonnet

360 Brass, 12L14 carbon steel or 316 stainless steel

Valve Stem

360 Brass or 316 stainless steel

Handle

360 Brass, 12L14 carbon steel or 316 stainless steel. Brass mini-valves supplied with knurled knob standard. Carbon steel and stainless steel mini-valves supplied with tee-handle.

Handle Bolt

360 Brass, 12L14 carbon steel or 18-8 stainless steel

Stem Seals

Viton o-ring with PTFE backup ring

Orifice Size

0.172 inches (4.37 mm)

Standard Threaded Connection Size

1/8" NPT or 1/4" NPT

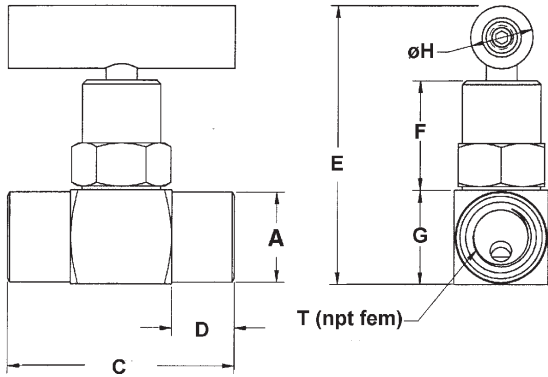
Order Options

Alternate threaded connection

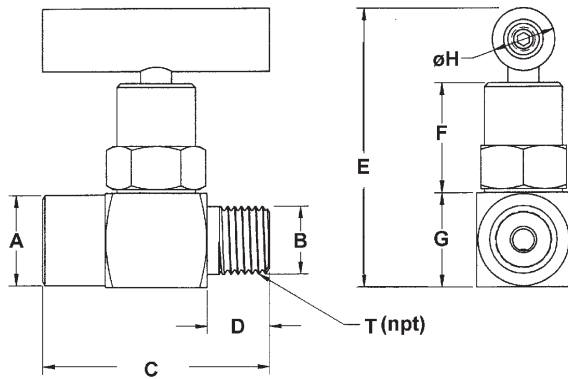
AAM 910.11.100
(AAM09.02.1)

Dimensions

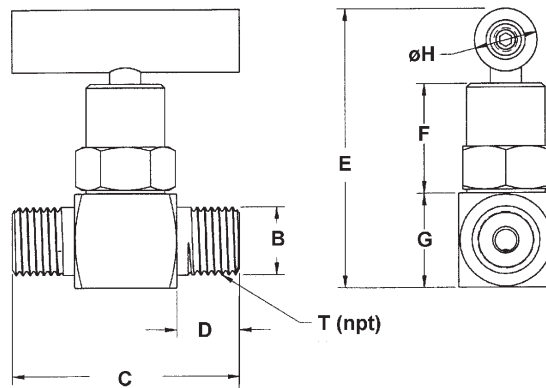
Female - Female



Male - Female



Male - Male



TYPE	WEIGHT	KEY	A	B	C	D	E	F	G	H	T
Type 910.11 Mini Fem. - Fem.	0.4 lbs.	mm	18.3	--	46	12.7	63	22	19	12.7	1/4"
		in	0.72	--	1.81	0.50	2.48	0.88	0.75	0.50	
Type 910.11 Mini Male - Fem.	0.4 lbs.	mm	18.3	13.7	46	12.7	63	22	19	12.7	1/4"
		in	0.72	0.54	1.81	0.50	2.48	0.88	0.75	0.50	
Type 910.11 Mini Male - Male	0.4 lbs.	mm	--	13.7	46	12.7	63	22	19	12.7	1/4"
		in	--	0.54	1.81	0.50	2.48	0.88	0.75	0.50	

THE MEASURE OF
Total Performance™

Ordering Information:

State computer part number (if available) / model number / size / range / connection size and location / options required.

Specifications given in this price list represent the state of engineering at the time of printing. Modifications may take place and the specified materials may change without prior notice



WIKAL Instrument Corporation
1000 Wiegand Boulevard
Lawrenceville, Georgia 30043-5868
Tel: 770-513-8200 Fax: 770-338-5118
<http://www.wika.com> e-mail: info@wika.com