

## SKELETON PRESSURE AND VACUUM SWITCHES

**FEATURES**

- Sealed Metal Bellows Sensor
- Brass or Phosphor Bronze Wetted Material
- Small Size
- 15 A SPDT Switch Output
- Screw Terminals
- Adjustable Ranges from 30" Hg Vac to 300 psi (-1 to 20,7 bar)

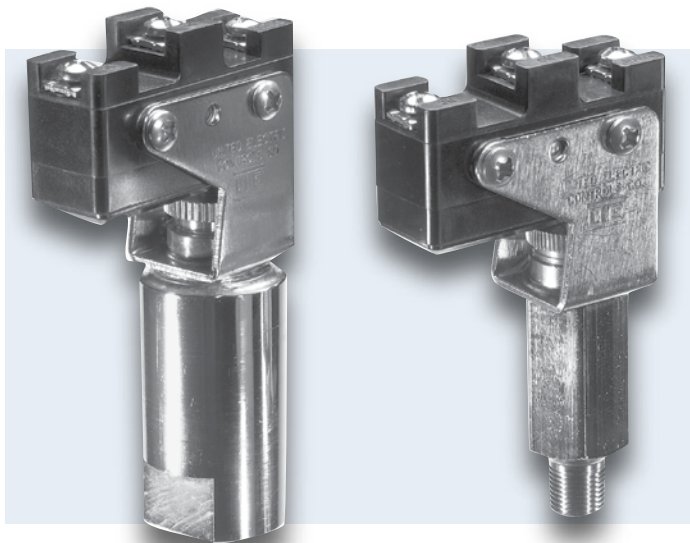


### OVERVIEW

The J40 can be utilized in OEM applications where compact size and performance are required. The sealed bellows sensor provides a "leak-free" sensor for applications where elastomers are unacceptable. Proven reliability involving sterilizers, plasma-cutting, anesthesia equipment, and even protective switching devices for power equipment, have made the J40 a versatile OEM pressure switch.

### FEATURES

- Sealed metal bellows sensor
- Brass or phosphor bronze wetted material
- Compact size
- Easy external adjustment
- Optional adjustable deadband switch
- UL recognized for the US and Canada; CE compliant to LVD & PED



Optional Hex bellows housing

## SPECIFICATIONS

|                                   |  |
|-----------------------------------|--|
| <b>STORAGE TEMPERATURE</b>        | -65 to 160°F (-54 to 71°C)   |
| <b>AMBIENT TEMPERATURE LIMITS</b> | -40 to 160°F (-40 to 71°C)   |
| <b>SHOCK</b>                      | Set point repeats after 15 G, 10 millisecond duration  |
| <b>VIBRATION</b>                  | Set point repeats after 2.5 G, 5-500 CPS   |
| <b>ENCLOSURE CLASSIFICATION</b>   | Not applicable   |
| <b>SET POINT REPEATABILITY</b>    | ± 1% of adjustable range   |
| <b>SWITCH OUTPUT</b>              | One SPDT; switch may be wired “normally open” or “normally closed”   |
| <b>ELECTRICAL RATING</b>          | 15 A 125/250 VAC resistive. Electrical switches have limited DC capabilities. Consult UE for additional information. |
| <b>ENCLOSURE</b>                  | Skeleton construction  |
| <b>WEIGHT</b>                     | Approx. 4 oz.  |
| <b>ELECTRICAL CONNECTION</b>      | Direct to switch terminals   |
| <b>PRESSURE CONNECTION</b>        | Models 218-230: 1/4" NPT (female);<br>Models 256-274: 1/8" NPT (male)  |
| <b>MOUNTING</b>                   | Via NPT pressure connection  |

## APPROVALS



**UNITED STATES AND CANADA**  
**UL Recognized, cUL Recognized**  
 UL 508; CSA C22.2 No. 14, file #E42272



**EUROPE**  
**Low Voltage Directive (LVD) (73/23/ED & 93/68/EEC)**  
 UEC Compliant to LVD  
 Products rated lower than 50 VAC and 75 VDC are outside of the scope of the LVD

**Pressure Equipment Directive (PED) (97/23/EC)**  
 Compliant to PED  
 Products rated below 7.5 psi are outside of the scope of the PED



### MODEL CHART

| Model  | Adjustable Set Point Range |           | Deadband           |                    | * Proof Pressure |      |
|--|----------------------------|-----------|--------------------|--------------------|------------------|------|
|  | psi (unless noted)         | bar       | psi (unless noted) | bar (unless noted) | psi              | bar  |
| Phosphor bronze bellows with brass 1/8" NPT (male) pressure connection   |                            |           |                    |                    |                  |      |
| 256  | 0 to 30                    | 0 to 2,1  | 1.5 to 2.5         | 0,1 to 0,2         | 45               | 3,1  |
| 260  | 0 to 60                    | 0 to 4,1  | 1.5 to 4           | 0,1 to 0,3         | 90               | 6,2  |
| 262  | 0 to 90                    | 0 to 6,2  | 1.5 to 4           | 0,1 to 0,3         | 135              | 9,3  |
| 266  | 0 to 100                   | 0 to 6,9  | 2 to 4             | 0,1 to 0,3         | 150              | 10,3 |
| 271  | 0 to 240                   | 0 to 16,5 | 2 to 6             | 0,1 to 0,4         | 330              | 22,8 |
| 274  | 0 to 300                   | 0 to 20,7 | 4 to 6             | 0,3 to 0,4         | 350              | 24,1 |
| Phosphor bronze bellows with brass 1/4" NPT (female) pressure connection |                            |           |                    |                    |                  |      |
| 218  | 30" Hg Vac to 0            | -1 to 0   | 1 to 2.5" Hg Vac   | 33,9 to 84,7 mbar  | 5                | 0,3  |
| 222  | 0 to 20                    | 0 to 1,4  | 0.2 to 1.3         | 13,8 to 89,6 mbar  | 30               | 2,1  |
| 224  | 0 to 30                    | 0 to 2,1  | 0.2 to 1.3         | 13,8 to 89,6 mbar  | 45               | 3,1  |
| 226  | 0 to 50                    | 0 to 3,4  | 0.2 to 1.3         | 13,8 to 89,6 mbar  | 75               | 5,2  |
| 230  | 0 to 100                   | 0 to 6,9  | 1 to 2.3           | 0,1 to 0,2         | 110              | 7,6  |

\* **Proof Pressure:** The maximum pressure to which a pressure sensor may be occasionally subjected, which causes no permanent damage. The unit may require calibration (e.g. start-up, testing).

## HOW TO ORDER

### BUILDING A PART NUMBER

#### Select a **Type**

Refer to the "Type" section below.  
Determine type number based on switch output, enclosure, adjustment and reference.  
Fill in the type portion of your part number with the corresponding number.

#### Select a **Model**

Refer to the "Model Charts"  
Determine model based on adjustable range, deadband and proof pressure.  
Fill in the model portion of your part number with the corresponding number.

#### Select an **Option**

Refer to the "Options" section  
Determine option number based on switch output, optional materials or other product enhancements.  
Fill in the option portion of your part number with the corresponding number. Leave "option" portion blank if no options are needed.  
FOR MULTIPLE OPTIONS: Call United Electric Controls.

| <b>TYPE</b> | <b>DESCRIPTION</b>  |
|-------------|---|
| J40         | One SPDT output; skeleton open frame construction; external adjustment with no reference dial |

### SWITCH OPTIONS\*

|      |  |
|------|--|
| 0140 | Gold contacts, 1 A 125 VAC resistive   |
| 0500 | Close deadband, 5 A 125/250 VAC resistive  |
| 1070 | 10 A 125 VDC or VAC resistive; deadband and minimum set point will increase; consult factory for information   |
| 1520 | Adjustable deadband, 15 A 125/250/277 VAC resistive. Adjustable wheel changes rise setting only. If adjustment of fall setting is required, use primary adjustment |
| 1535 | High ambient, 15 A 125/250 VAC resistive; temperatures up to 250°F (121°C)   |

### GENERAL

|      |  |
|------|--|
| M201 | Factory set one switch; specify set point on increasing or decreasing pressure |
| M444 | Paper ID tag   |
| M446 | Stainless steel ID tag and wire attachment                                     |
| M514 | Hex bellows housing. NOT AVAILABLE ON MODELS 218-230                           |
| M550 | Oxygen service cleaning; internal construction may change                      |

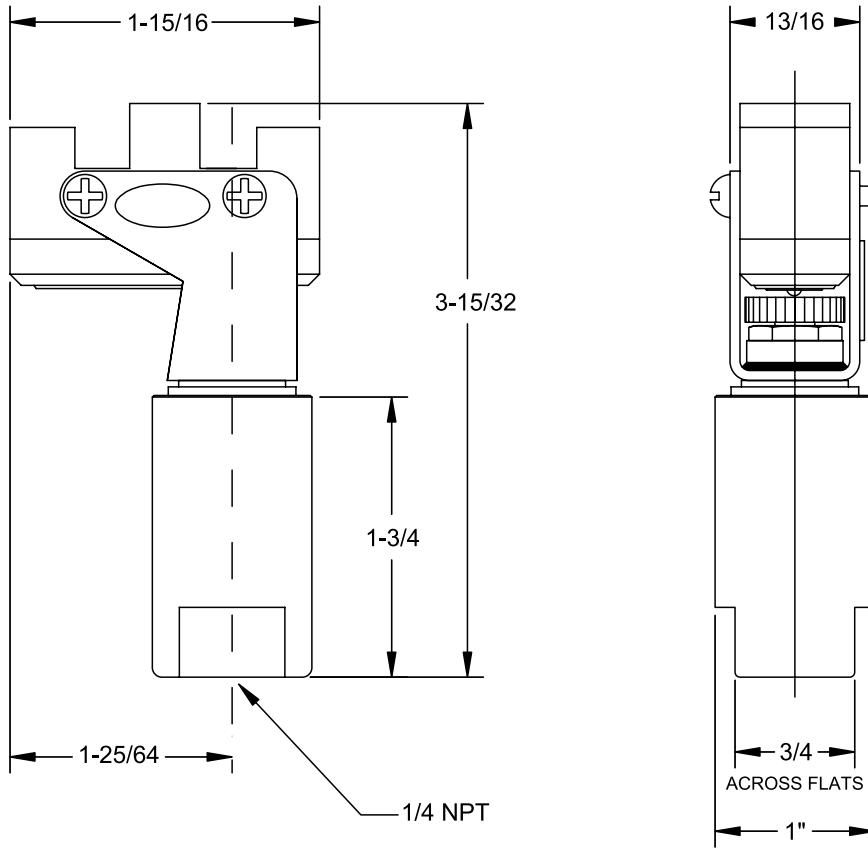
*\* All switches have limited DC capabilities. Consult factory for details.*



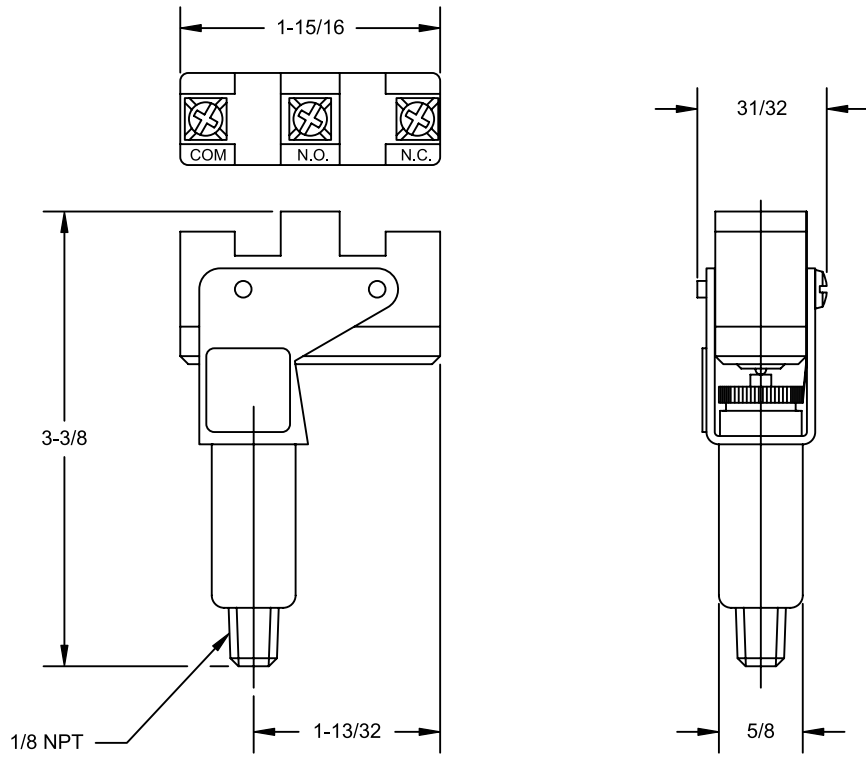
## DIMENSIONAL DRAWINGS

Dimensional drawings for all models may be found at [www.ueonline.com](http://www.ueonline.com)

Type J40, Models 218-230



Type J40, Models 256-274



## RECOMMENDED PRACTICES AND WARNINGS

United Electric Controls Company recommends careful consideration of the following factors when specifying and installing UE pressure and temperature units. Before installing a unit, the Installation and Maintenance instructions provided with unit must be read and understood.

- To avoid damaging unit, proof pressure and maximum temperature limits stated in literature and on nameplates must never be exceeded, even by surges in the system. Operation of the unit up to maximum pressure or temperature is acceptable on a limited basis (e.g., start-up, testing) but continuous operation must be restricted to the designated adjustable range. Excessive cycling at maximum pressure or temperature limits could reduce sensor life.
- A back-up unit is necessary for applications where damage to a primary unit could endanger life, limb or property. A high or low limit switch is necessary for applications where a dangerous runaway condition could result.
- The adjustable range must be selected so that incorrect, inadvertent or malicious setting at any range point cannot result in an unsafe system condition.
- Install unit where shock, vibration and ambient temperature fluctuations will not damage unit or affect operation. When applicable, orient unit so that moisture does not enter the enclosure via the electrical connection. When appropriate, this entry point should be sealed to prevent moisture entry.
- Unit must not be altered or modified after shipment. Consult UE if modification is necessary.
- Monitor operation to observe warning signs of possible damage to unit, such as drift in set point or faulty display. Check unit immediately.
- Preventative maintenance and periodic testing is necessary for critical applications where damage could endanger property or personnel.
- Electrical ratings stated in literature and on nameplate must not be exceeded. Overload on a switch can cause damage, even on the first cycle. Wire unit according to local and national electrical codes, using wire size recommended in installation sheet.
- Do not mount unit in ambient temp. exceeding published limits.

## LIMITED WARRANTY

Seller warrants that the product hereby purchased is, upon delivery, free from defects in material and workmanship and that any such product which is found to be defective in such workmanship or material will be repaired or replaced by Seller (Ex-works, Factory, Watertown, Massachusetts. INCOTERMS); provided, however, that this warranty applies only to equipment found to be so defective within a period of 24 months from the date of manufacture by the Seller. Seller shall not be obligated under this warranty for alleged defects which examination discloses are due to tampering, misuse, neglect, improper storage, and in any case where products are disassembled by anyone other than authorized Seller's representatives. EXCEPT FOR THE LIMITED WARRANTY OF REPAIR AND REPLACEMENT STATED ABOVE, SELLER DISCLAIMS ALL WARRANTIES WHATSOEVER WITH RESPECT TO THE PRODUCT, INCLUDING ALL IMPLIED WARRANTIES OF MERCHANTABILITY OR FITNESS FOR ANY PARTICULAR PURPOSE.

## LIMITATION OF SELLER'S LIABILITY

Seller's liability to Buyer for any loss or claim, including liability incurred in connection with (i) breach of any warranty whatsoever, expressed or implied, (ii) a breach of contract, (iii) a negligent act or acts (or negligent failure to act) committed by Seller, or (iv) an act for which strict liability will be inputted to seller, is limited to the "limited warranty" of repair and/or replacement as so stated in our warranty of product. In no event shall the Seller be liable for any special, indirect, consequential or other damages of a like general nature, including, without limitation, loss of profits or production, or loss or expenses of any nature incurred by the buyer or any third party.

*UE specifications subject to change without notice.*

## U.S. SALES OFFICES

United Electric Controls  
31 Old Stage Road  
Hampton Falls, NH 03844  
Phone: 617-899-1132  
email: [northeastsales@ueonline.com](mailto:northeastsales@ueonline.com)

United Electric Controls  
28 N. Wise Ave.  
Freeport, IL 61032  
Phone: 815-341-2588  
email: [midwestsales@ueonline.com](mailto:midwestsales@ueonline.com)

United Electric Controls  
1022 Vineyard Drive  
Conyers, GA 30013  
Phone: 770-335-9802  
email: [southeastsales@ueonline.com](mailto:southeastsales@ueonline.com)

United Electric Controls  
5829 Grazing Court  
Mason, OH 45040  
Phone: 513-535-5486  
email: [midatlanticsales@ueonline.com](mailto:midatlanticsales@ueonline.com)

United Electric Controls  
102 Salazar Court  
Clayton, CA 94517  
Phone: 925-408-5997  
email: [westcoastsales@ueonline.com](mailto:westcoastsales@ueonline.com)

United Electric Controls  
27 Summit Terrace  
Sparta, NJ 07871  
Phone: 973-271-2550  
email: [easternsales@ueonline.com](mailto:easternsales@ueonline.com)

United Electric Controls  
4306 Whickham Drive  
Fulshear, TX 77441  
Phone: 832-457-6138  
email: [southwestsales@ueonline.com](mailto:southwestsales@ueonline.com)

United Electric Controls  
5201 Arbor Court  
Odessa, TX 79762  
Phone: 432-770-4164  
email: [westtexasales@ueonline.com](mailto:westtexasales@ueonline.com)

## CANADA

EASTERN  
68 Mosley Crescent  
Brampton, Ontario  
Canada L6Y 5C8  
Phone: 905-455-5131  
FAX: 905-455-5131

WESTERN  
148 Silver Ridge Close N.W.  
Calgary, Alberta  
Canada T3B 3T4  
Phone: 403-247-3724  
FAX: 403-247-3724



UNITED ELECTRIC  
CONTROLS

180 Dexter Avenue, P.O. Box 9143  
Watertown, MA 02471-9143 USA  
Telephone: 617 926-1000 Fax: 617 926-2568  
<http://www.ueonline.com>

## INTERNATIONAL OFFICES

CHINA  
United Electric Controls  
Room 1011, 10th Flr,  
Huai Hai Zhonghua Building  
No. 885, Renmin Road, Luwan District  
Shanghai 200010, P.R. China  
Phone: +8621-6255 8059  
email: [chinasales@ueonline.com](mailto:chinasales@ueonline.com)

EASTERN EUROPE & SCANDINAVIA  
United Electric Controls  
05-806 Komorow  
Kujawska 5, Poland  
Phone: +48 22 499 4804  
email: [easterneuropesales@ueonline.com](mailto:easterneuropesales@ueonline.com)

GERMANY  
United Electric Controls  
An Der Zentlinde 21  
D-64711 Erbach, Germany  
Phone: 496-062-7400  
email: [europesales@ueonline.com](mailto:europesales@ueonline.com)

INDIA  
United Electric Controls  
House no. 7, Kamalkunj Society  
Nizampura,  
Baraoda (Gujarat), India  
email: [indiasales@ueonline.com](mailto:indiasales@ueonline.com)

MALAYSIA  
United Electric Controls, Far East  
No. 1-2-2, 2nd Floor  
Jalan 4/101C  
Cheras Business Centre  
Batu 5, Jalan Cheras  
56100 Kuala Lumpur, Malaysia  
Phone: 603-9133-4122  
email: [fareastsales@ueonline.com](mailto:fareastsales@ueonline.com)

MEXICO  
United Electric Controls  
Andador Austria 102  
Fracc. Petroquimica CP 89365  
Tampico, Tamaulipas Mexico  
Phone: 833-132-3726  
email: [latinamericasales@ueonline.com](mailto:latinamericasales@ueonline.com)

RUSSIA  
United Electric Controls, Moscow  
Kuusinena str., 19A, Office 310  
Moscow, 125252, Russia  
Phone: +7 (095) 792-88-06  
email: [russiansales@ueonline.com](mailto:russiansales@ueonline.com)