

# D80 Series

Liquid Filled • Stainless Steel Case

UTILITY GAUGES



D82LFB shown

- ▶ 2", 2 1/2", 4" Dial Sizes
- ▶ ±1.6% Accuracy
- ▶ Stainless Steel Case
- ▶ Glycerine Fill Standard

The Trerice **D80 Series** Utility Gauge is designed for rugged performance requirements at an economical cost. This liquid filled gauge is furnished with a stainless steel case and crimped ring. Wetted parts are either bronze tube with brass socket or stainless steel.

- Optional features and case style variations available: Please consult the Options & Accessories Section for details.
- For correct use and application of all pressure gauges, please refer to: Pressure Gauge Standard ASME B40.100.

## Specifications

Models	Wetted Parts	
<b>D82LFB</b>	(liquid filled)	Bronze tube, brass socket
<b>D83LFSS</b>	(liquid filled)	316 Stainless steel tube & socket

**Dial Sizes** 2", 2 1/2", 4"

**Fill** Glycerine, other fills available  
See Optional Features Section

**Movement** **D82LFB:** Brass  
**D83LFSS:** 316 Stainless steel

**Connection** Lower male or center back male, 1/4 NPT

**Case** 304 stainless steel, stem-mounted flangeless

**Ring** Crimped 304 stainless steel

**Window** Acrylic

**Pointer** Plain, black finished

**Dial Face** Aluminum, white background with black graduations and markings

**Accuracy** ±1.6% Full Scale

**Maximum Temperature**  
150°F (65°C)

### Approximate Shipping Weight

- 2" Dial Size:  
0.4 lbs [0.18 kg]
- 2 1/2" Dial Size:  
0.5 lbs [0.23 kg]
- 4" Dial Size:  
1.0 lbs [0.45 kg]

## HOW TO ORDER

Sample Order Number: **D82LFB 25 02 L A 110**

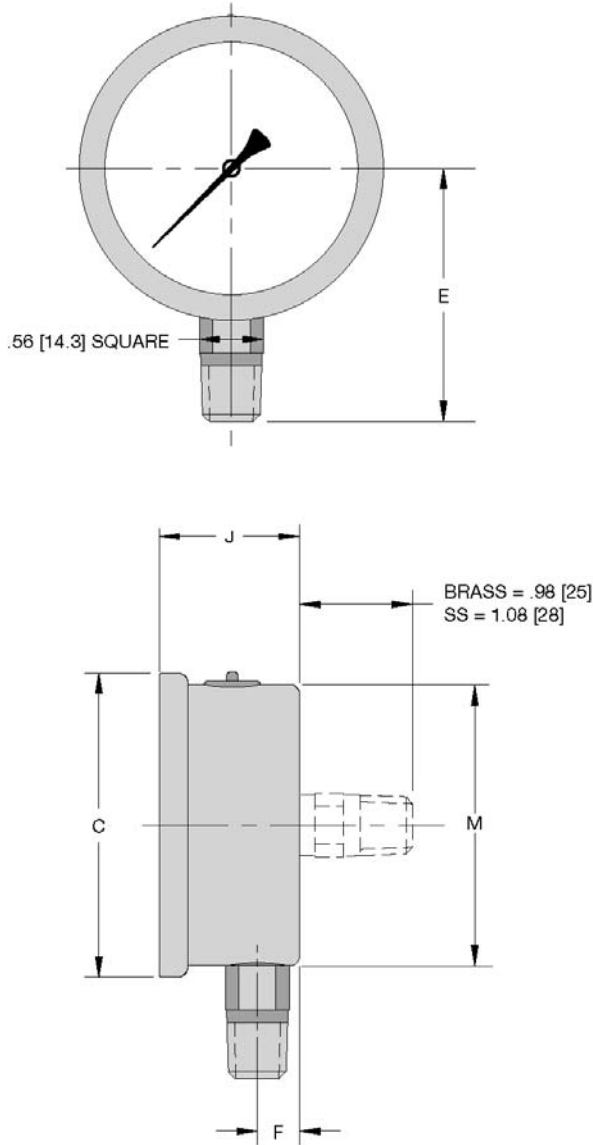
Model	Dial Size	Connection Size	Connection Location	Units of Measure	Range Code
<b>D82LFB</b>	20 2"	02 1/4 NPT	L Lower	A psi	See Standard Ranges
<b>D83LFSS</b>	25 2 1/2"		B Back	D psi/kPa	
	40 4 1/2"				

# D80 Series

## Liquid Filled • Stainless Steel Case

All dimensions are nominal. Dimensions in [ ] are in millimeters.

UTILITY GAUGES



### Standard Ranges

psi Ranges (A)			
Range Code	Specific Range (psi)	Figure Intervals	Minor Divisions
010	30" Hg to 0	5	0.5
020	30" Hg to 15 psi	10/5	1/0.5
030	30" Hg to 30 psi	10/10	2/1
040	30" Hg to 60 psi	30/20	2/2
050	30" Hg to 100 psi	30/20	5/2
060	30" Hg to 150 psi	30/20	10/5
070	30" Hg to 300 psi	30/30	5/10
080	0 to 15 psi	3	0.2
090	0 to 30 psi	5	0.5
100	0 to 60 psi	10	1
110	0 to 100 psi	20	2
120	0 to 160 psi	20	2
130	0 to 200 psi	50	5
140	0 to 300 psi	50	5
150	0 to 400 psi	100	10
160	0 to 600 psi	100	10
180	0 to 1000 psi	200	20
190	0 to 1500 psi	300	20
200	0 to 2000 psi	500	50
210	0 to 3000 psi	500	50
220	0 to 5000 psi	1000	100
Ranges over 5000 psi are not available in D82LFB.			
230	0 to 10,000 psi	2000	200
240	0 to 15,000 psi	3000	200

For dual scale ranges specify the appropriate **Units of Measure: D** (psi/kPa) followed by the corresponding **A** (psi) Range Code.

Dial Size	C	E	F	J	M
2"	2.09 [53.1]	1.91 [48.5]	0.43 [11.0]	1.10 [28.0]	1.94 [49.3]
2 1/2"	2.67 [67.8]	2.22 [56.5]	0.37 [9.5]	1.20 [30.5]	2.47 [62.7]
4" Brass	4.18 [106.1]	2.85 [72.3]	0.48 [12.2]	1.32 [33.5]	3.93 [99.7]
4" SS	4.18 [106.1]	3.07 [78]	0.46 [11.8]	1.31 [33.5]	3.93 [99.7]