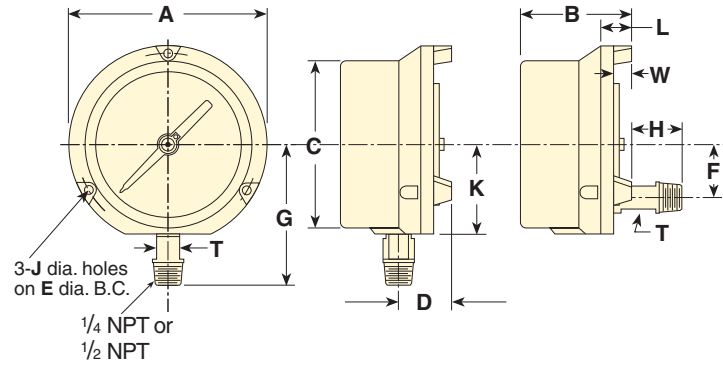
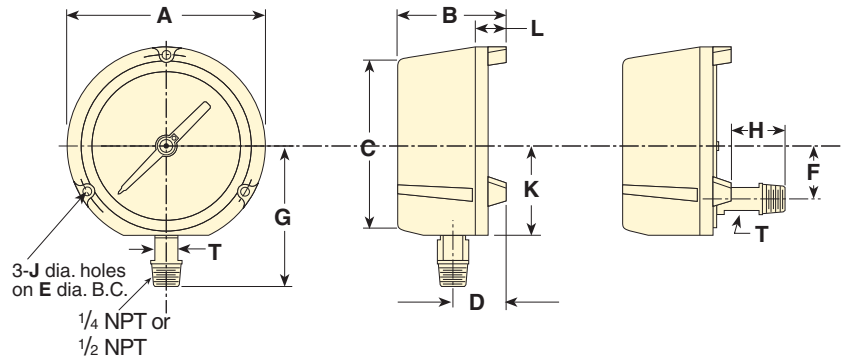


Test Gauge – Type 1082(*)S (XAY), (XTY) 4½", 6" and 8½"

Case Type 1082(*)S (XAY)



Case Type 1082(*)S (XTY)



Model	Dial Size Inches	A	B	C	D	E	F	G	H		J	K	L	M	P	T
									Max.	Min.						
1082 XTY	4½	5¼ (48)	3¼ (86)	5¼ (129)	1¼ (41)	5¼ (137)	1¼ (41)	3¼ (94)	1¼ (29)	1¼ (21)	.218	2¼ (67)	1¼ (24)	—	—	5/8 (16)
1082 XAY	4½	5¼ (48)	3¼ (87)	4¼ (124)	1¼ (41)	5¼ (137)	1¼ (41)	3¼ (94)	¾ (20)	—	.218	2¼ (67)	1¼ (27)	—	—	5/8 (16)
1082 XAY	6	7¼ (194)	3½ (89)	6¼ (162)	1¼ (41)	7¼ (178)	1¼ (41)	4¼ (113)	¾ (20)	—	.218	2¼ (67)	1¼ (27)	1¼ (27)	—	5/8 (16)