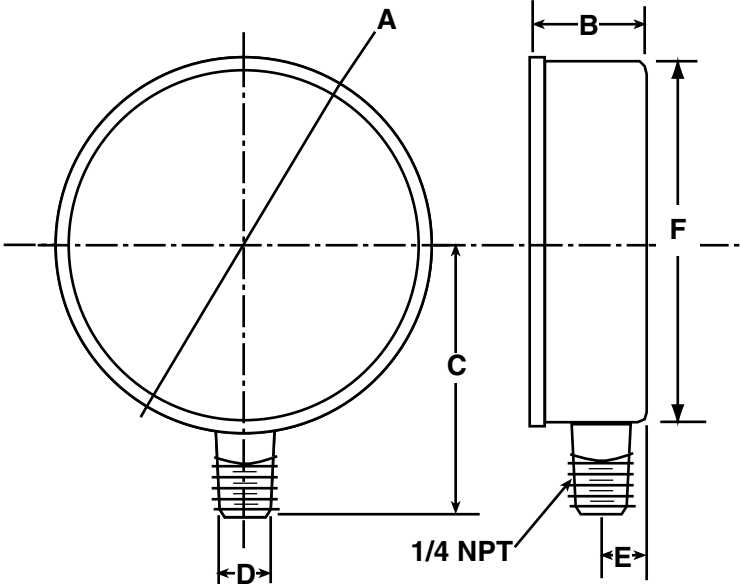


Sprinkler Service Gauge Type 1005, XUL – 3 1/2"

Case Type 1005, XUL



Size/Type		A	B	C	D	E	F
3 1/2" 1005P XUL	inch	3.70	1.14	0.72	0.56	0.47	3.61
	mm	(94)	(29)	(69)	(14.2)	(11.9)	(92)